

55" OUTDOOR FREESTANDING DIGITAL POSTER



24/7 Usage



Sunlight Readable



High Definition Display



LED Backlight Technology



Weatherproof



Plug and Play Media Player



Eco-Friendly Power Timer



Multiple AV Inputs



Wide Viewing Angle



Vandal Proof



Easy Installation & Maintenance



Optional Touch Screen Upgrade



Commercial Grade



Temperature Control



Ambient Light Sensor

SUNLIGHT READABLE

Brightness is paramount when using outdoor screens, these displays use commercial grade Ultra High Brightness panels (1500 cd/m²); more than 4 times brighter than a standard home TV to allow easy readability in direct sunlight.



OUTDOOR ENCLOSURE

Designed with robust, corrosion protected, casing to protect against the elements and the public. With an IP65 rating, it keeps out all airborne particles as well as being protected from any wet weather conditions and also feature waterproof over molded AV connectors.

The enclosures are made from mild steel and have thermally toughened glass.

ADVANCED TEMPERATURE CONTROL SYSTEM

The internal air-conditioning system allows the screens to be in constant use in an outdoor environment. Internal fans keep the panel and other internal components at the optimum working temperature; ensuring a long and reliable life for your display.



Regular Glass



Anti Reflective Glass

ANTI-REFLECTIVE GLASS

The glass frontage is also anti-reflective to help defuse direct sunlight shining on the display.

55" OUTDOOR FREESTANDING DIGITAL POSTER



BUILT-IN MEDIA PLAYER

As well as having AV inputs, these displays also have a built-in HD media player allowing you to run content copied from a USB drive. Load your pictures and videos onto a USB memory stick then insert it into the display, the screen will then start playing the pictures and videos in a continuous loop. The displays can also be upgraded to be updated remotely via a cloud-based CMS.

CONVENIENT INSTALLATION AND MAINTENANCE

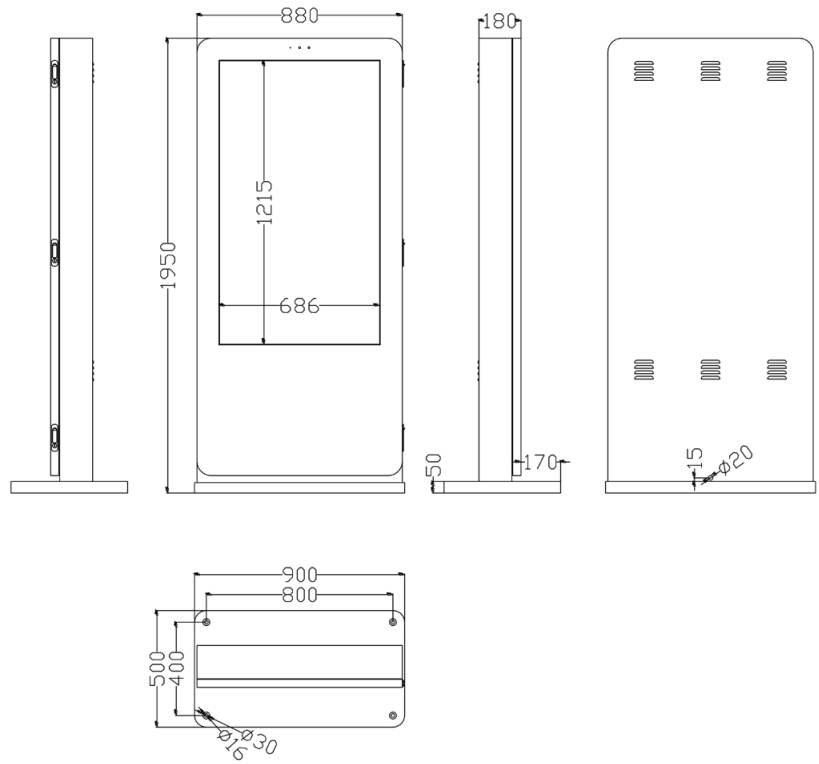
These units are designed with installation and maintenance in mind. As well as having a cabling channel built into the base of the unit there are also special fitting holes to allow you to permanently fix your screen in position. There is also internal space within the unit to hide any additional hardware, such as a PC, with easy access in the form of a front panel door.



Product In Situ

55" OUTDOOR FREESTANDING DIGITAL POSTER

DRAWING:



FULL SPECIFICATION:

55" Outdoor Freestanding Digital Poster	
Active Area (WxH mm)	1215x686
Resolution	1080x1920
Pixel Pitch	0.21x0.63
Colour	1.073 G
Brightness (cd/m2)	1500
Contrast Ratio	8000:1
Viewing Angle	178°
Response Time	4.5ms
AV Inputs	VGA, HDMI
Operating Voltage	AC100-240V(50Hz-60Hz)
Power Consumption (W)	580
Enclosure Protection	IP65
Lifetime (hours)	50,000
Overall Unit Size (WxHxD mm)	1950x880x180
Net Weight (kg)	200
Environmental	Operating Temperature: -10°C - 50°C Operating Humidity: 10% - 80% Storage Temperature: -30°C - 60°C Storage Humidity: 5% - 90%
Supported Media Formats	Video (MPG, AVI, MP4), Image (JPG, BMP, PNG)
Accessories	AC Power Cable, Remote Control
Optional Extras	IR Touch Screen